

T1/E1/CEPT/ISDN-PRI TRANSFORMERS

Features :

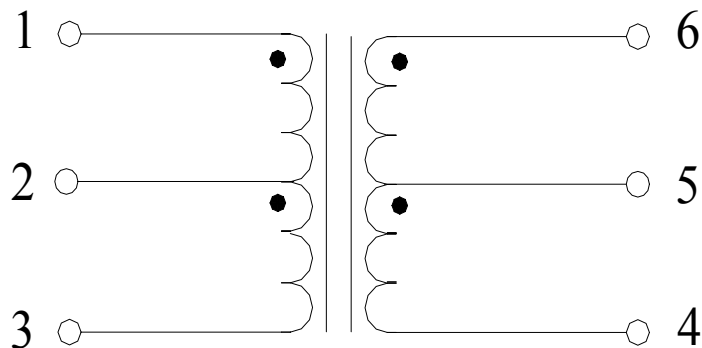
- 1) Small surface mount package
- 2) Controlled parameters ensure full compliance with ITU-TG 703 when matched with recommended IC.
- 3) Ideal for all 1.544 and 2.048 Mbs interface applications.

FW-0605S

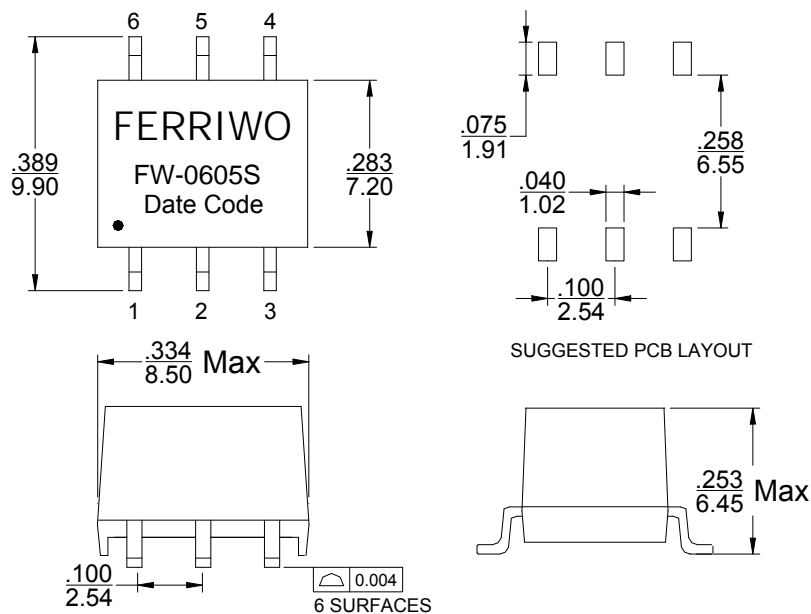
A) Electrical Specifications @ 25°C --- Operating temperature -40°C To 85°C .

- | | |
|--|--|
| <ol style="list-style-type: none"> 1) Turn Ratio :
(1-3):(6-4)= 1CT : 1CT +/-2% 2) Inductance :
(1-3) : 1.2mH Min @ 100KHz 0.1V 3) D.C.Resistance : @25°C
(1-3) :0.8 Ω Max. | <ol style="list-style-type: none"> 4) Cw/w : @100KHz 0.1V
(1-6): 35pF Max 5) Leakage Inductance :
(1-3) : 0.6uH Max @ 100KHz 0.1V short(6+4) 6) Hi - Pot (Pri : Sec):
(1-3)to(6-4): 1500Vrms 1mA 2Sec |
|--|--|

B) Schematics



C) Mechanical Dimensions (Unit: inches/mm)



Unless otherwise specified, all tolerances are ±.010 / 0.25